

## ***SINGLE WAN PORT SIPE®***

Times are changing with advancing technologies. Communication systems using serial networks are looking for solutions to get their data into Ethernet format. Well look no further because One Stop Solutions Inc (1-SS) has that solution in the form of a SIPE. The SIPE will enhance your present day communication systems in more ways than one.

*Provides Solutions for*

- *Any Encryption over Ethernet*
- *Benign Fill*
- *EoIP*



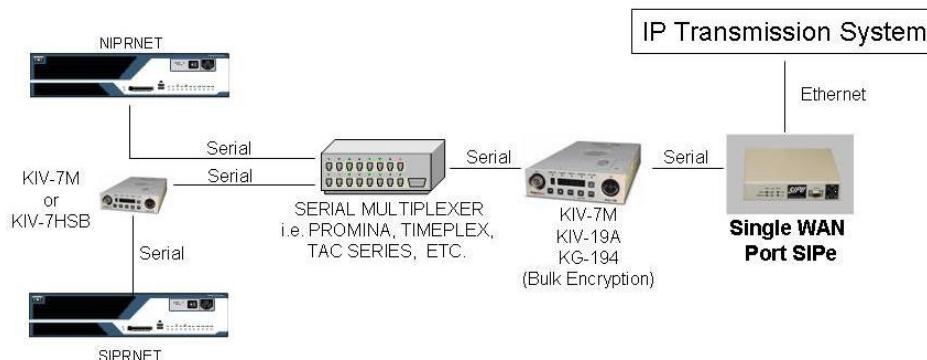
*Single WAN Port SIPE*

### **Converting Serial Data to Ethernet**

Products like WIMAX or 802.16 like radio systems are becoming a desirable means of communications. IP satellite systems are becoming more popular and are being integrated into new communication systems being introduced to Department of Defense services. The majority of our armed services today use a serial multiplexing device and there is a need to provide a serial to Ethernet solution for economical reasons. The SIPE is that economical solution that will allow a smooth transition to Everything over IP (EoIP).

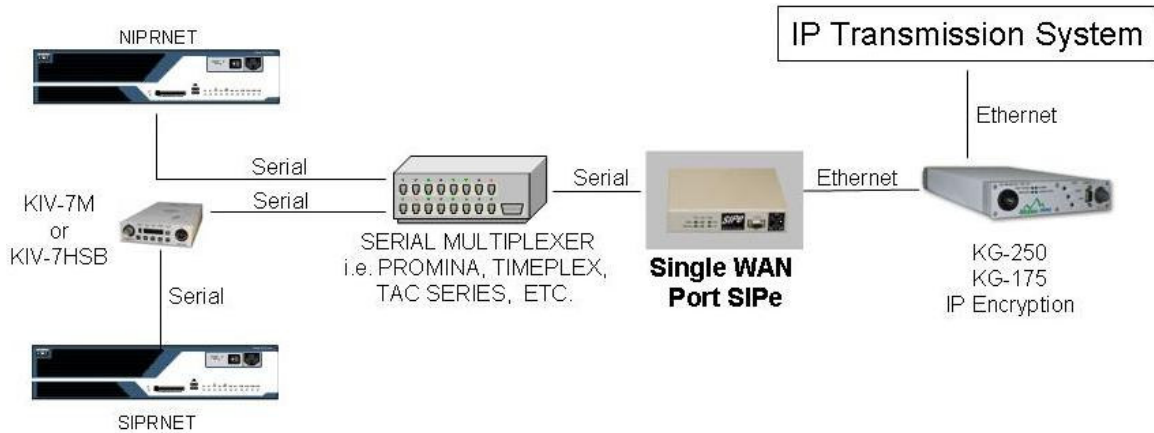
### **Legacy Encryption Devices**

Most military communication elements today have serial encryption devices in inventory. These devices have been used for many years and can be used for a long time to come. The SIPE can provide the interface between serial multiplexers with serial encryption devices to the new IP transmission systems. This conversion enables your legacy communication system to utilize the new IP transmission technologies today without risking the TRANSEC security that a serial encryption device provides.



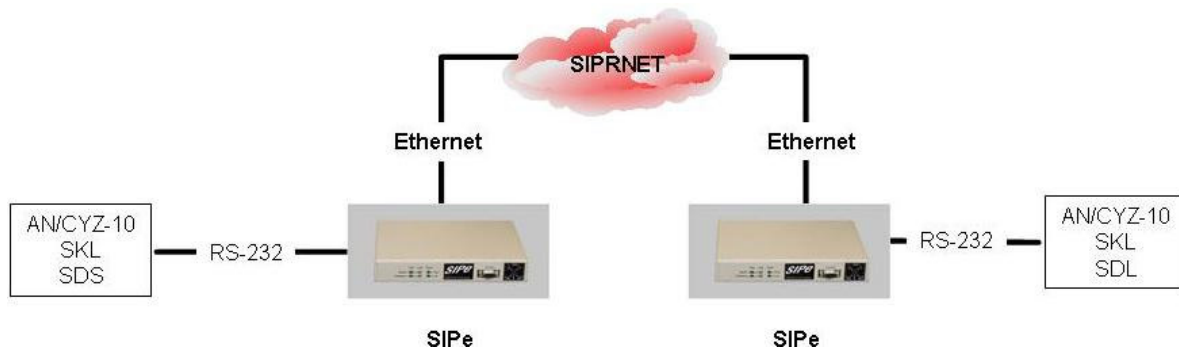
## IP Encryption Devices

Protecting data is a serious task and must be handled carefully. With the proper configuration, the SIPE can be used with the newer IP encryption devices. Whether it's a serial or IP encryption device you are using, the SIPE will still take serial data and convert it to IP for that desirable IP transmission system.



## Benign Fill – Key Transfer Method

The SIPE is a multi-solution providing device. The National Security Agency (NSA) tested the SIPE in a 3 satellite hop configuration to transfer COMSEC key from one Simple Key Loader (SKL) device to another SKL device. There is a need to transfer keying material safely and securely to remote areas without the need of a human courier. The NSA test was successful with the out-of-the-box default configuration. Transferring key via a STE will become a memory when you get a SIPE. It's just another feature you receive with the purchase of the SIPE.





## **Light and Easy**

1-SS products are designed with the technical operator in mind. It takes minutes to setup and configure the SIPE. This allows for the communication specialist to spend more time on other critical communication issues. Other than the ease of use, the Single WAN Port SIPE weighs about one pound and is less than 1U high and 9” wide. It is small and lightweight and delivers capabilities that are needed today.

## **About 1-SS**

One Stop Solutions has over 70 years experience in designing, implementing and maintaining joint networks. If you have questions about transmission systems, encryption devices, convergence of networks or any other network issues, contact us at (732) 483-4350 and we’ll be glad to assist.

***“One Stop – Problem Solved”***



## SINGLE WAN PORT SIPe Specifications

### **Network Port (WAN)**

Interface:	10/100 Base-T, Half/Full Duplex, Auto-Negotiate
"Switch" Connector:	RJ45 for direct connection to WAN transport device
"Radio" Connector:	RJ45 with Power Over Ethernet for direct connection to EZ-IP Radio

### **Serial Port**

Speeds:	Programmable, 3Kbps to 8192 Kbps
Interface:	RS232, RS530, RS-530A, RS449, V.35, X.21
Connector:	DB25 Female (DCE)
Clock Source	Internal, External, Remote

### **User Ethernet Port**

Interface:	10 Base-T, Half/Full Duplex
Connector:	RJ45

### **Console Port (Front Panel)**

Interface:	RS232 / v.24
Baud Rate:	9600 to 115.2K
Connector:	DB9 Female (DCE)

### **Synchronization Port**

Connectors:	Two RCA audio (for synchronization of co-located
-------------	--

### **Power**

Input Voltage:	8 to 28 Volts DC 110 to 220 VAC (external supply)
Consumption:	3.3 Watts

### **Environment**

Operating Temperature:	0° to 55° C 32° to 130° F
Humidity:	Up to 90% non-condensing

### **Dimensions**

Size:	9"W x 6"D x 1.5"H 22.8 x 15.2 x 3.8 cm
Weight:	1 lb. 0.45 Kg